

ADJUSTABLE CONSTANT CURRENT LED DRIVER XTC32 (PHASE) PROGRAMMABLE SPECIFICATIONS SHEET

ELECTRICAL SPECIFICATIONS

<i>Input</i>		
Input Voltage (VAC)	120-277V (+/-10%)	
Frequency Range (Hz)	50-60Hz	
	120V	277V
Input Current (A)	0.32	0.14
THD @ Full Load	<10%	<10%
Power Factor @ Full Load	>0.95	>0.95
Efficiency @ Full Load	>80%	>80%
Inrush Current (Apk)	0.88	1.36
<i>Output</i>		
Output Current (mA)	350 - 700mA	
Output Voltage (VDC)	20 - 46V	
Output Ripple Current (mA)		
Maximum Output Power (W)	32W	
LED Power Up Time	<500ms	
Load Regulation	<3%	
Line Regulation (Max Load)	<3%	
Over Voltage Protection	Yes, Auto Recovery	
Over Load Protection	Yes, Auto Recovery	
Output Short-Circuit Protection	Yes	
Over Temperature Protection	Yes	



Specifications subject to change without notice.

GENERAL INFORMATION

Order Numbers	XTC32-0700P-UNV-I
Type	Constant Current, Class 2
Output Power	32W (Maximum)
Programming Method	I-LOC Keys

DIMMING

Dimming Control	Phase Dimming
Dimming Range	Dims to Off

ENVIRONMENTAL SPECIFICATIONS

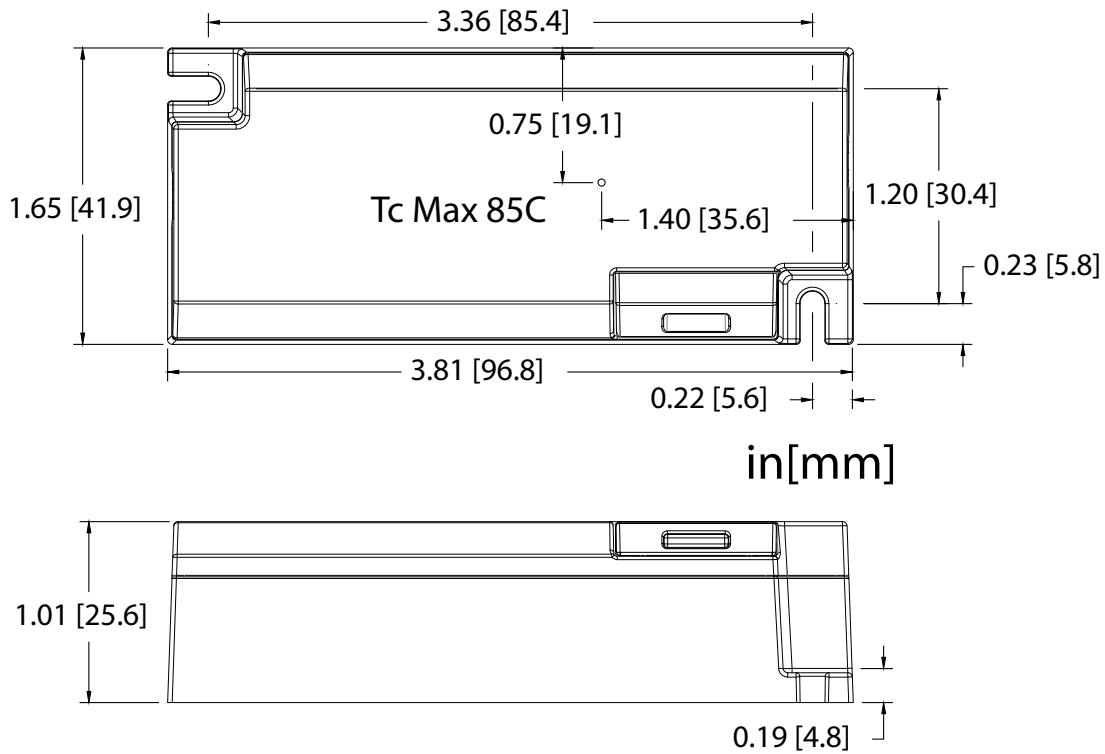
Minimum Operating Temperature	-30°C
Maximum Case Temperature (Tc)	85°C ¹
Maximum Storage Temperature	70°C
Maximum Relative Humidity (%)	85%, non-condensing
Transient Protection	NEMA SSL1-2010 Non-Roadway 2.5kV
UL Environment Rating	Dry & Damp
UL File Number	E341915
EMI Compliance	FCC Part 15 Class B
Sound Rating	Class A

¹80°C Maximum Case Temperature for Warranty Purposes

WIRING

Input:	6" #18AWG Black (L), White (N)
Output:	6" #24AWG Red (+), Black/White (-)

DIMENSIONS



Always confirm it with a physical sample.

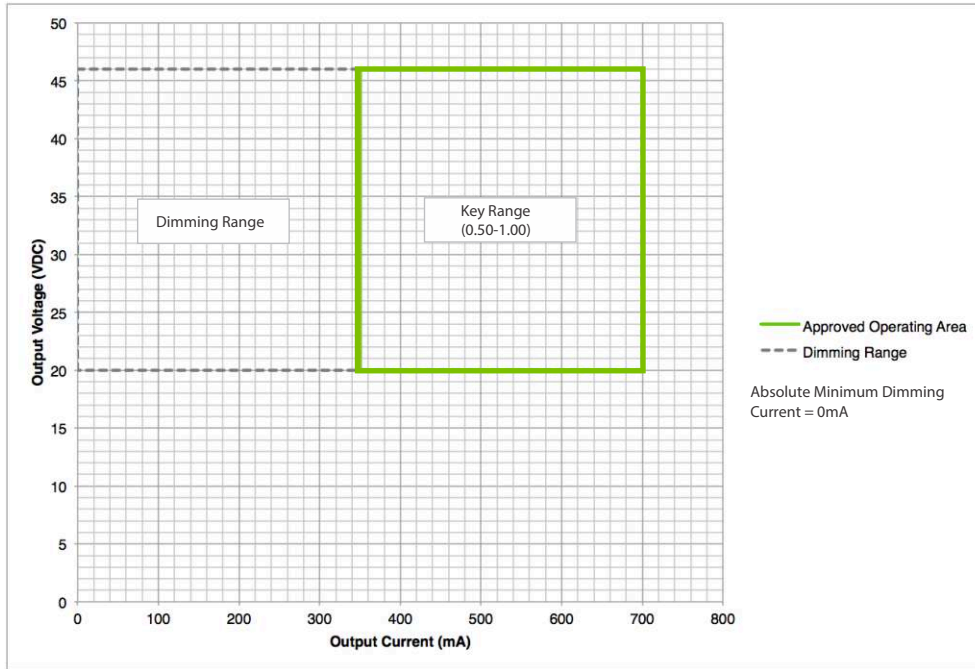
PROGRAMMABILITY

Hatch I-LOC Technology enables quick and easy setting of driver output current with the simple click of a key. Select the appropriate I-LOC key for the desired output current and click it into the driver. The keys are **Interchangeable** across the Hatch I-LOC LED Driver product family and have a 50% to maximum output range. The 0.28 to 0.48 keys are designed exclusively for the Linear I-LOC family.

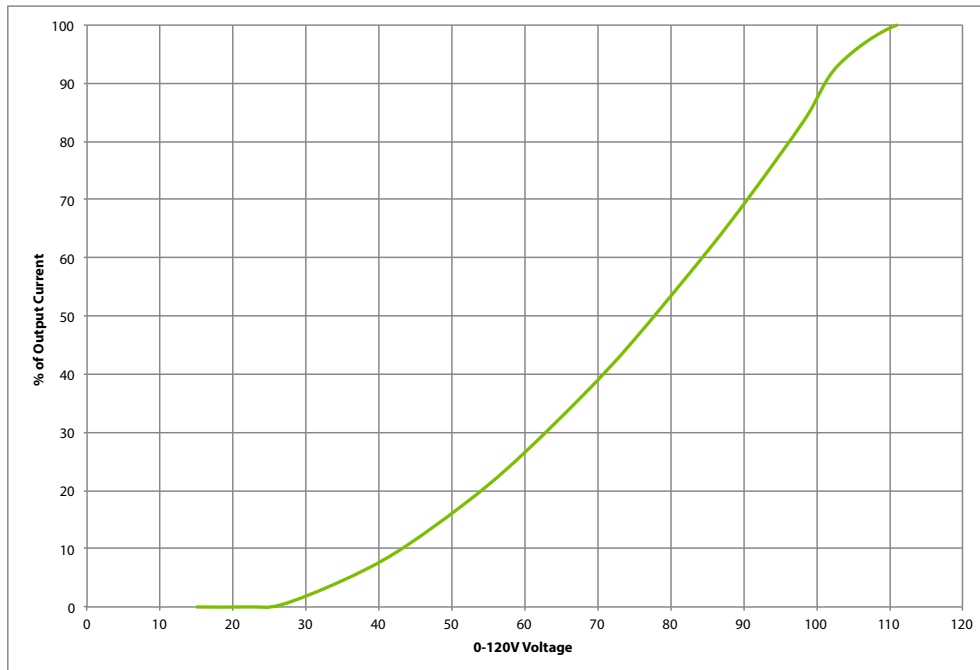
Drive Factor	Part Number	Max Output mA	Voltage Range V	Max Output W
1.00	XA100	700	20-46	32
0.50	XU050	350	20-46	16

Adjusted Output Current
Tolerance +/- 3%

OPERATING RANGE



DIMMING



TL INFORMATION

Key Range	Tref Max	Tref - Measured @ 40°C
0.50 - 0.65	82°C	52°C
0.68 - 0.80	90°C	58°C
0.83 - 1.00	78°C	63°C

INRUSH CHARACTERISTICS

Input Voltage Vin (Vrms)	Ipk (A)	T 50%pk (μS)
120	0.88	50
277	1.36	94