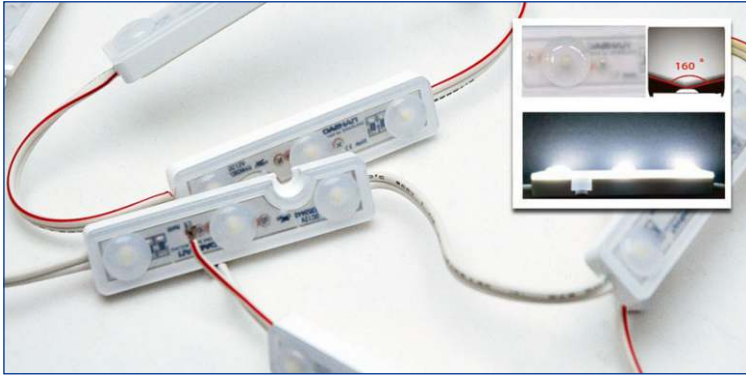


LED Back Light Modules

Model: STAR-F03X (COLOR: X : WW = Warm White, DW = Day White)



12V DC Power	1.2 WATTS	80 CRI	SAMSUNG LED 2835
50-150mm	VIEW ANGLE 160°	42,000 HOURS	DIMMABLE



SPECIFICATIONS

Max Voltage	12 VDC
Wattage	1.2 Watts
Set Length	24.6ft (7.5 meter) / 50 Modules
Watt/Set	60 Watts (50 Modules)
Dimensions	66.3(L) x 15.39(W) x 9.40(H)mm (2.61" x 0.6" x 0.37")
Weight	14g
Housing	PC + ABS Sonic Sealed
LEDs Type	Samsung 2835 SMD LEDs
LED Angle	160°
Lamp Life	42,500 hours estimated average
Color Temperature	3000K(Warm White), 5700K (Day White)
Brightness	100 lm/module
Max Modules	50 Modules continuous by wire (18 AWG)
Certifications	cRUus, SAM
Max Run	50 Modules, Do not exceed
IP Rating	IP68 (Water Resistant)

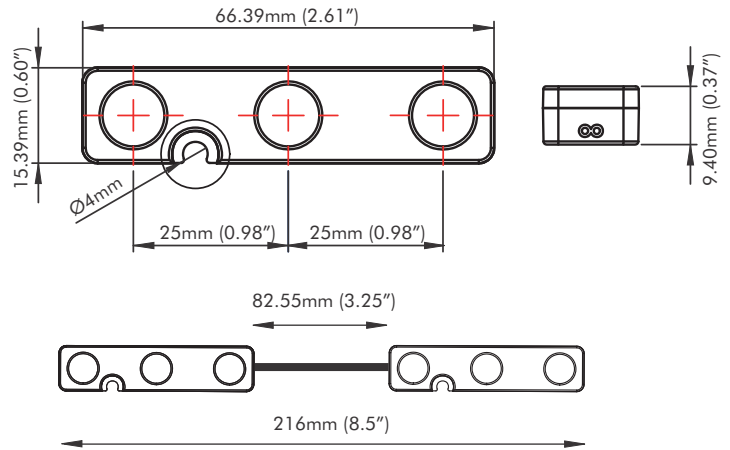
FEATURES

- Lifetime upto 42,500 hours with 70% or better light output
- Outstanding IP68 rating by Ultra Sonic Welding Technology
- IP68 rating prevents water and dust penetration
- Samsung 2835 SMD chip.
- PC+ABS body (less environment effect)
- Listed in SAM's manual
- Made in Korea

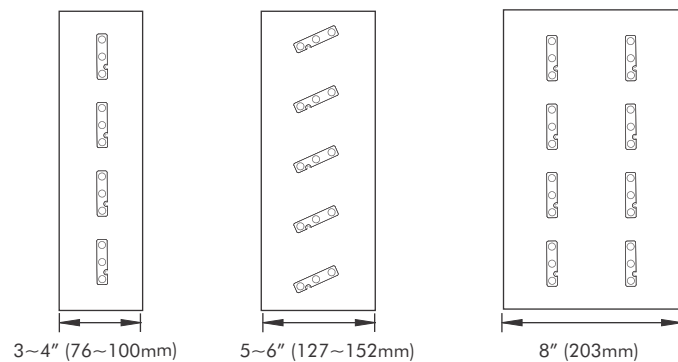
APPLICATIONS

- Concealed Lighting
- Backlighting for Signage Letters
- Channel Letter Lighting
- Cove Lighting
- Field Separable

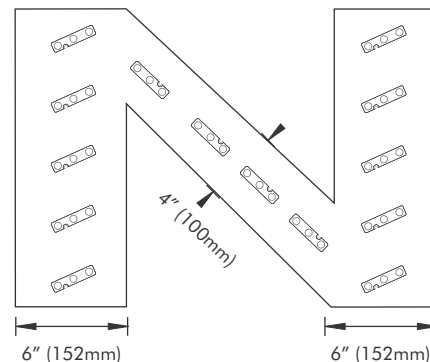
DIMENSIONS



SUGGESTED CHANNEL MODULE SPACING GUIDE

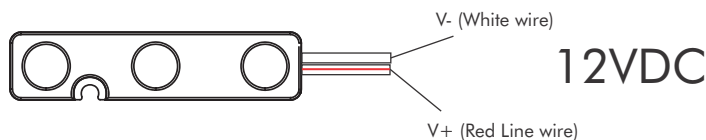


SUGGESTED LETTER CHANNEL MODULE SPACING GUIDE



Note: For installing modules on surface material: The LED modules come with a double-side tape backing. Mount the LED modules (at ambient room temperature) to smooth clean surfaces, free of burros on material such as metal, glass and plastic. You may also mount using screws to fasten the module to wood material. After wiring and installation is complete, connect to 12V DC Class 2 regulated power supply.

NOTE:



LED Back Light Modules

Model: STAR-F03X (COLOR: X : WW = Warm White, DW = Day White)

POWER SUPPLY

Outdoor Use	Indoor Use
 <p>75W XLD75B-112V-FC Class 2 Regulated Driver Outdoor use</p>	 <p>60W MD-012-060VTH Class 2 Dimmable Driver Indoor use only</p>
 <p>200W XLD200B-412V-FC Class 2 Regulated Driver Outdoor use</p>	 <p>180W MD-012-180VTHJ Class 2 Dimmable Driver Indoor use only</p>

CAUTION:

Use only with Class 2 power units. Failure to use listed Class 2 power supplies will void warranty and create a serious hazard.

When using power supplies; the following basic safety features should be verified in:

- Addition to any other application specific Correct output voltage, including consideration for ripple and spikes.
- concerns and local safety codes: Short circuit protection/ Overload protection / Overheat protection. Correct wire gauge / Class 2 type Power supply

NOTE: Pigtail wires at both ends. Terminate wires at one end to prevent crossover and short circuit.