

# 96W 24V Class 2 Triac / 0-10V Dimmable Driver

Model : MD-024-096VTDHV2

**LED WORLD**  
ledworldlighting.com | ledworld.ca  
1-800-387-4081



## FEATURES

- Constant Voltage Output
- Universal AC input: 100~277VAC
- Power Factor > 0.98
- High efficiency > 86%
- Protection : Short circuit / Over Loading / Over temperature
- Suitable for use in dry, damp and wet indoor/outdoor locations
- Easy installation
- Free Air convection cooling
- Compatible with leading edge and trailing edge Triac Dimmers
- Flicker-free dimming
- 0-10V dimming
- Full protection aluminum housing
- cULus listed
- Suitable for LED lighting and sign lighting applications
- 8 knockouts for easy wiring



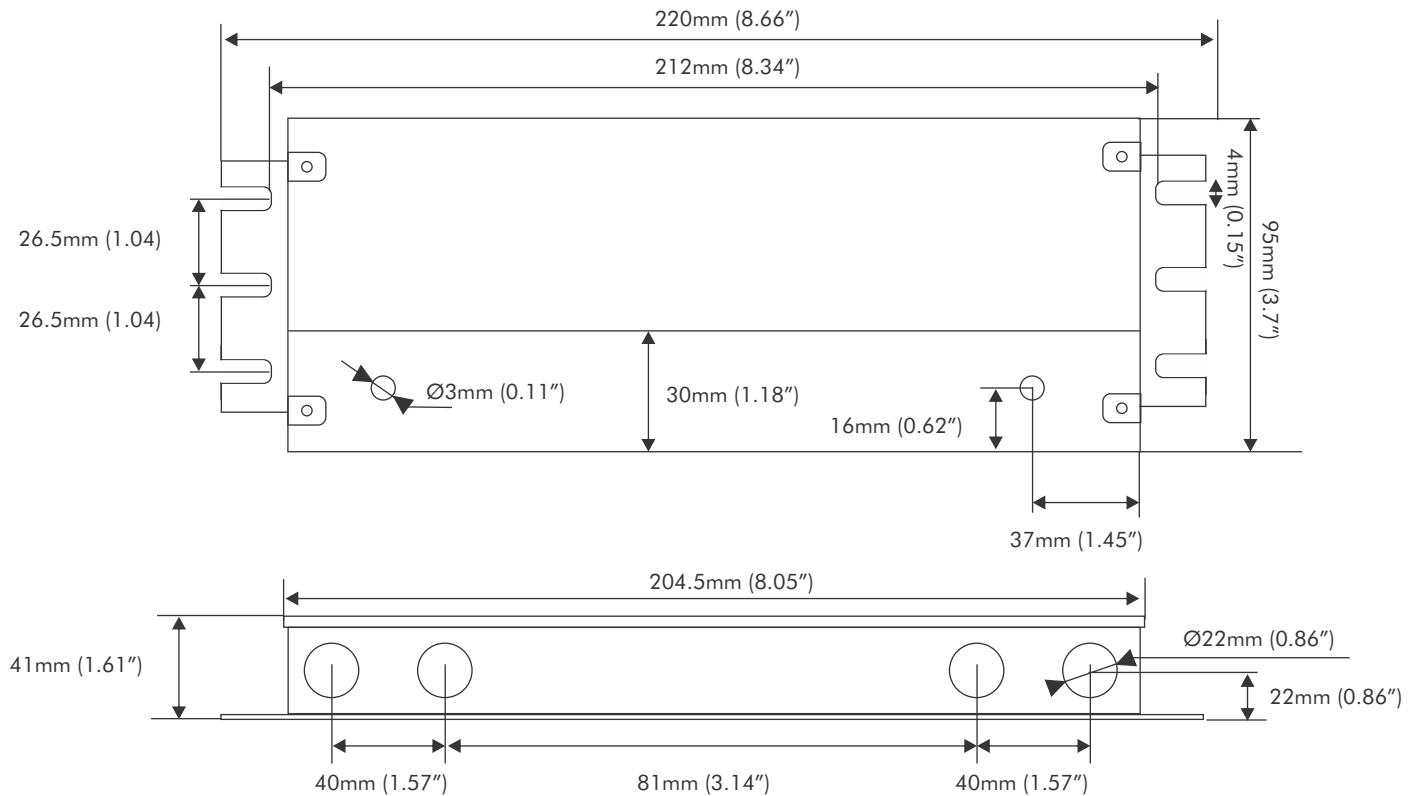
## SPECIFICATIONS

Output	DC Voltage	24V
	Voltage Tolerance	±0.5V
	Rated Current	4.0A
	Rated Power	96W
Input	Voltage Range	100~277VAC
	Frequency Range	47~63Hz
	Power Factor (Typ.)	PF ≥ 0.98/120V, PF ≥ 0.95/277V
	Efficiency (Typ.)	83% @ 120VAC, 86% @ 277VAC
	AC Current (Typ.)	1.3A @ 100VAC
	Leakage Current	< 0.50mA
	Inrush Current	20A. 50%, 1.6ms
	THD	<20%
Protection	Over Temp.	100°C±10°C shut down o/p voltage, recovers automatically after cooling
	Short Circuit	Hiccup mode, recovers automatically after fault condition is removed
	Over Loading	≤ 120% constant current limiting, auto-recovery
Environment	Working Temp.	-40°C ~ 60°C (-40°F ~ 140°F)
	Working Humidity	20~90 % RH, non-condensing
	Storage Temp. Humidity	-40°C ~ 80°C, 10~95 % RH
	Temp. Coefficient	±0.03% / °C (0°~50°C)
Safety & EMC	Vibration	10~500Hz, 5G 10min/1 cycle, period for 60min each along X, Y, Z axes
	Safety standards	UL8750 CAN/CSA-C22.2 NO.250.13
	Withstand voltage	I/P-O/P:3.75KVAC
	Isolation Resistance	I/P-O/P: 100MΩ/500VDC/25°C/70%RH
Other	EMC EMISSION	FCC Part 15 B
	Net. Weight	1.3Kg (2.86lbs)
	Size	220L x 95W x 41H mm (8.66" x 3.7" x 1.61")

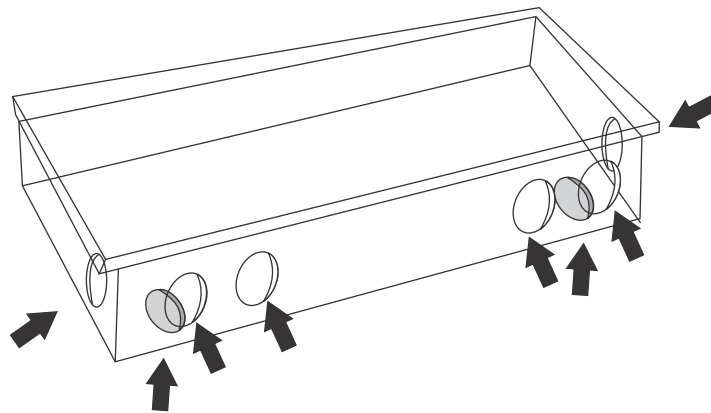
# 96W 24V Class 2 Triac / 0-10V Dimmable Driver

Model : MD-024-096VTDHV2

## PRODUCT DIMENSION



## KNOCKOUTS



## DIMMING OPERATION

- The Pulse-Width Modulation (PWM) of output voltage can be adjusted through input terminal of the AC phase line(L) by connecting a triac dimmer
- Match with leading edge Triac Dimmer (Can customized as a driver only matching trailing edge Triac Dimmers if needed)
- Use dimmers with power at least 2.5 times as the output power of the driver
- For forward phase, magnetic low voltage and Triac dimmers
- 0-10V Dimming: Dim(+) Purple wire to 0-10V dimmer signal(+), Dim(-) Grey wire to 0-10V dimmer signal(-)

## WARNING

- Check polarity
- Risk of Electric Shock. Indoor use only. Suitable for dry and damp locations.
- Risk of Fire. Installation involves special wiring methods to run wiring through a building structure. Consult a qualified electrician.
- Risk of Electric Shock. Mount the unit at a height more than 1 ft (30cm) from the ground