

RGBW LED BACK LIGHT MODULES

MODEL: BV-D3-RGBW

FEATURES

- LED Modules are sealed to IP65 Standard.
- Peel & stick adhesive back or screw mount.
- Epistar SMD RGBW chip.
- Low voltage, energy efficient, virtually no maintenance. Can be cut between each module (by locally licensed electricians).

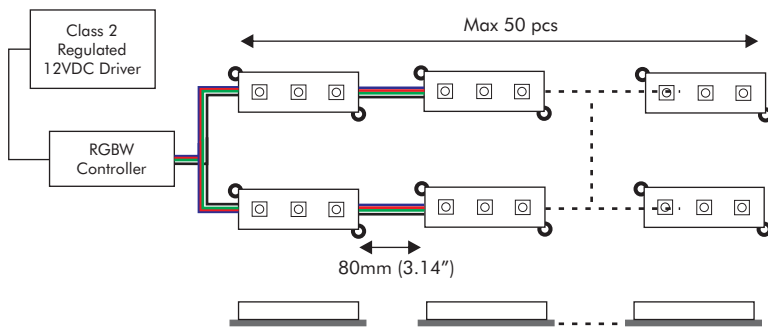
APPLICATIONS

- Concealed Lighting
- Backlighting for Signage letter
- Channel Letter lighting

SPECIFICATIONS

Max Voltage	12VDC (Class 2 type)
Wattage	0.91 each module
Set Length	25.40ft (7.74M)/50 Modules
Watt/Set	45.5W (50 modules)
Dimensions	80(L) x 25(W) x 8(H)mm (3.14" x 0.98" x 0.31")
Weight	5g (each module)
Connector	5 Pigtail Wire (at beginning)
Housing	PVC
LEDs Type	Epistar SMD RGBW Chip
LED Angle	120°
IP Rating	IP65 not including connection
Brightness	36.4 lm/module (all on)
Modules/Set	50 per pack, 80mm(3.14") wire spacing
Certifications	cRUus
Max Run	50 modules (3.8A) by wire (18 AWG)

WIRING GUIDE:



Tolerance is $\pm 0.25\text{mm}$ unless otherwise noted

NOTE: Positive Black wire is marked (+). Color Red (-), Green (-), Blue (-) and White (-) are marked by wire color.

Example: Blue LED will be blue colored wire (-). When connecting to RGBW color controller, verify the correct polarity and voltage before powering.

CAUTION:

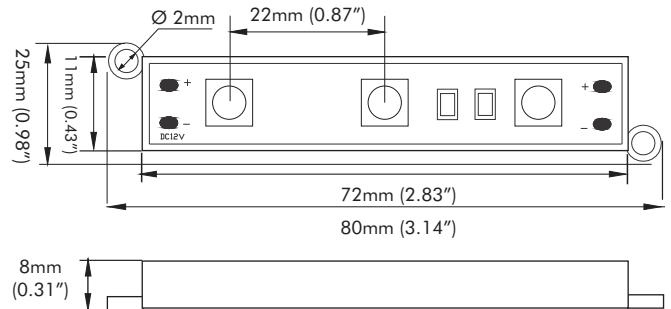
Use only with Class 2 power units (regulated type). Failure to use listed Class 2 power supplies will void warranty and create a serious hazard. When using power supplies; the following basic safety by manufacture and verify in addition to any other application specific concerns to local safety codes:

- Short circuit protection.
- Overload protection / Overheat protection.
- Correct output voltage, including consideration for ripple and spikes.
- Correct wire gauge.

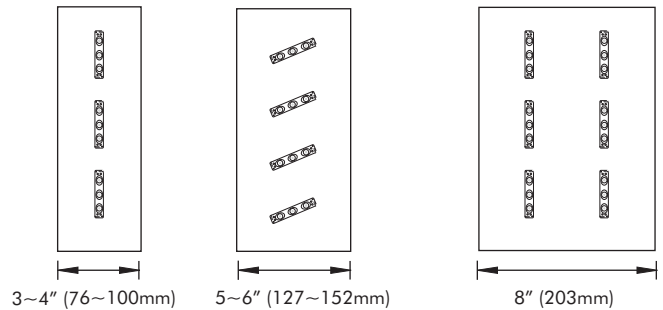
NOTE: Pigtail wires at both ends. Terminate wires at one end to prevent crossover and short circuit.



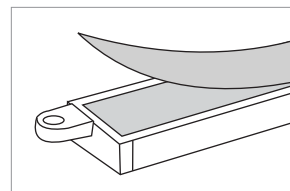
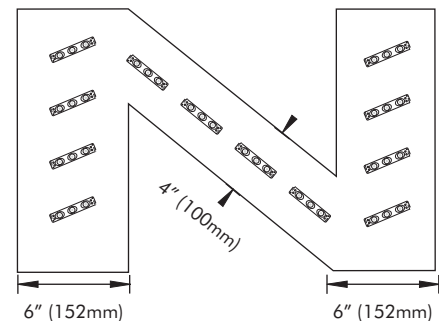
DIMENSIONS



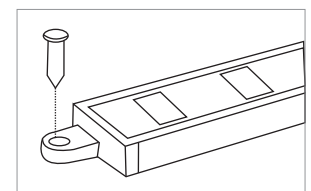
SUGGESTED CHANNEL MODULE SPACING GUIDE



SUGGESTED LETTER CHANNEL MODULE SPACING GUIDE



Please rip PE adhesive tape on the back of the product, then stick to the objects where you want



Use the screws to fasten it again