

DMX512 Signal Amplifier/Repeater

Model: SR-2100AMP

LED WORLD™
ledworldlighting.com | ledworld.ca
1-800-387-4081

BEFORE YOU BEGIN, READ ALL WARNINGS AND INSTALLATION INSTRUCTIONS (AS THEY MAY HAVE BEEN UPDATED FROM PREVIOUS VERSIONS). IMPROPER INSTALLATION(S) PRESENT HAZARDS, WHICH CAN RESULT IN PERSONAL INJURY OR PROPERTY DAMAGE.

SAFETY & WARNINGS

- This product is intended to be installed and serviced by a qualified licensed electrician. Install in accordance with the National Electric Code, and local regulations. Disconnect power before installing or servicing. **Only power with a regulated (listed) constant voltage Class 2 power supply (12-24V DC). Never use this product with dimmable or magnetic dimmable power source(driver).**
- Ensure applicable wire is installed between driver, fixture, and any controls in between. When choosing wire, factor in voltage drop, amperage rating and type (in-wall rated, wet location rated, etc.). Inadequate wire installation could overheat wires and cause fire.
- **This product is rated for indoor dry locations installation. Avoid the direct sun light.**
- Do not modify this product beyond the instructions in this guide or the warranty will be voided.
- Wiring diagrams in this installation guide for basic installations. Please carefully review your installation before proceeding.
- Always be sure to mount this unit in an area with proper ventilation to avoid overheating.
- Please check if the output voltage of any LED power supplies used comply with the working voltage of the product.
- Never connect any cables while power is on and always assure correct connections to avoid short circuits before switching on.
- Please ensure that the cable is secured tightly in the connector

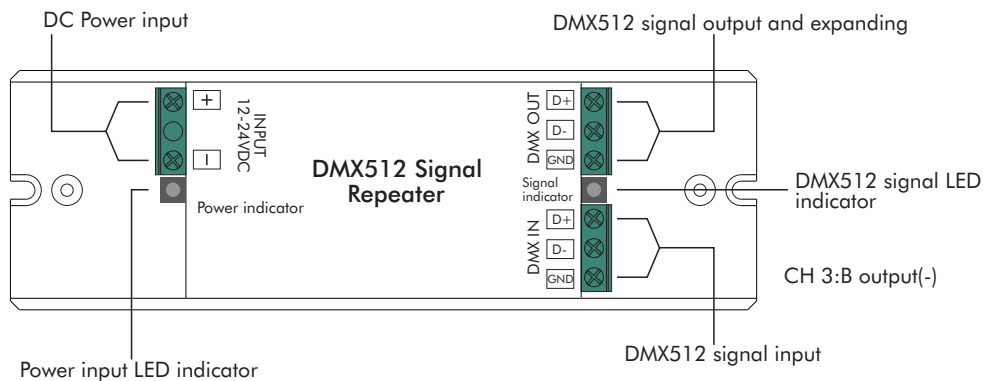
Warning: Input voltage must be identical to output voltage of the LED Fixture!

WIRE 6-8MM (0.25-0.30")

Exposed wire should not be more than 6- 8 mm long tinned. Do not allow Wires to cross and insure all exposed wire is fully inserted into the terminals. Use 22 to 16 AWG gauge wire for output terminals.



PRODUCT OPERATION OVERVIEW



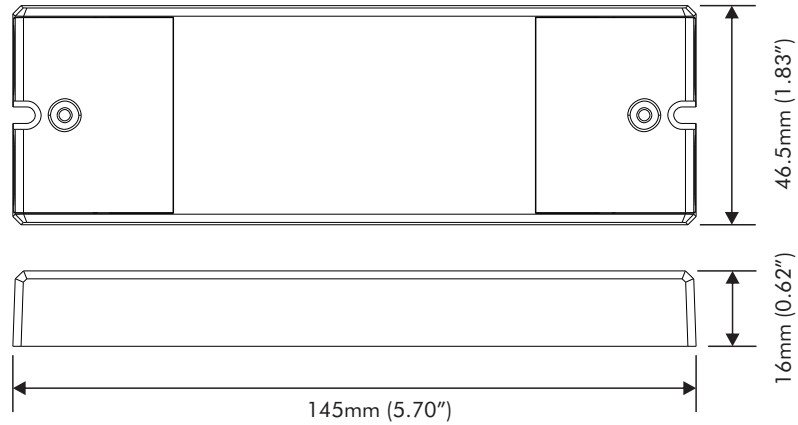
PRODUCT PARAMETERS

Part No.	SR-2100AMP
Input Voltage	12V~24V DC
Current	0.5A max
Output	DMX512 signal
Working Environment	Indoor dry location use

DMX512 Signal Amplifier/Repeater

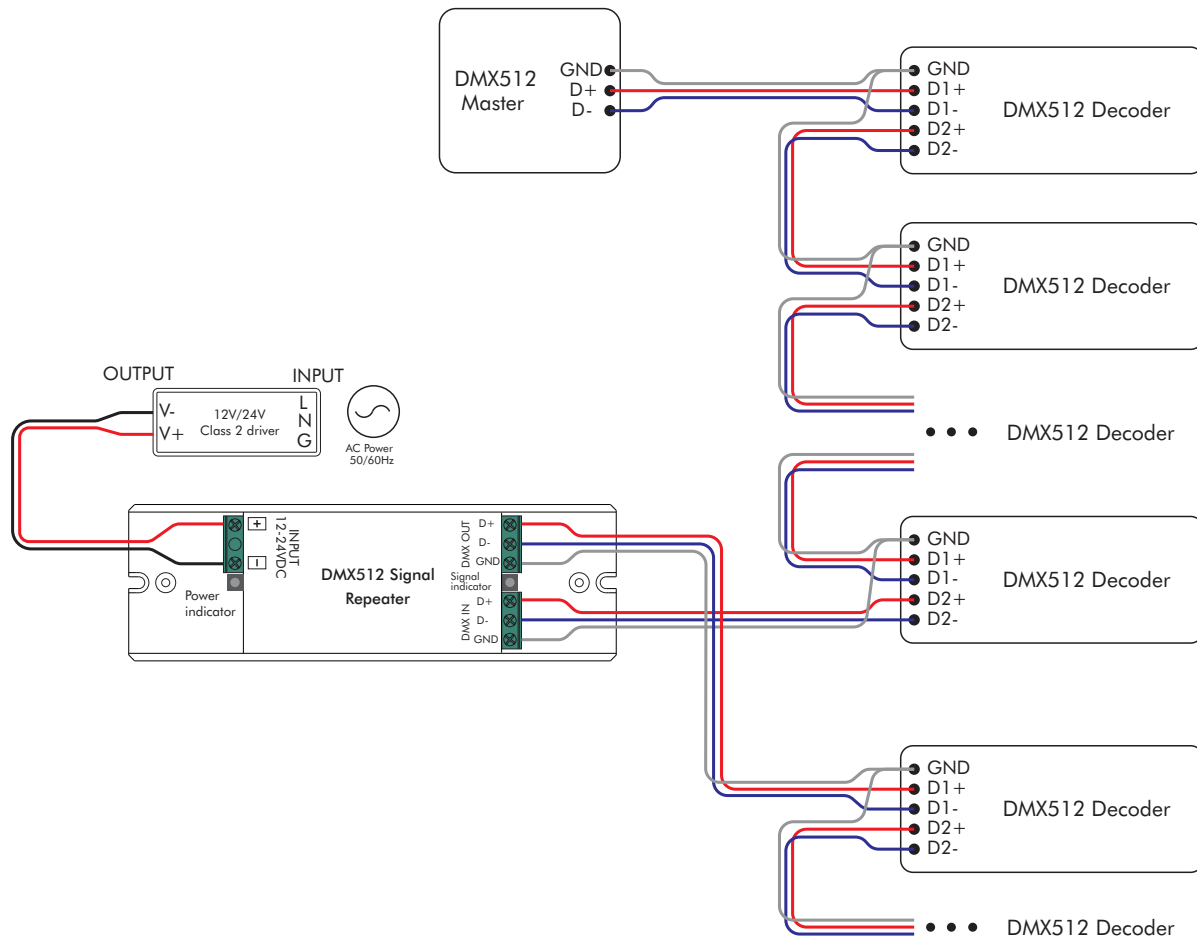
Model: SR-2100AMP

PRODUCT DIMENSION



WIRING DIAGRAM

NOTE: Each amplifier can repeat signal for max. 12pcs of DMX512 decoders in parallel within 100m (328.08ft) range. More amplifiers are required if there are more than 12pcs of decoders and the distance is further than 100m (328.08ft).



FEDERAL COMMUNICATIONS COMMISSION (FCC) STATEMENT

This device complies with part 15 of the FCC rules. Operation is subject to the following two conditions:

1. This device may not cause harmful interference, and
2. This device must accept any interference received, including interference that may cause undesired operation.

Note: The manufacturer is not responsible for any radio or tv interference caused by unauthorized modifications to this equipment. Such modifications will void the user's authority to operate the equipment and warranty.

THREE YEAR LIMITED WARRANTY

LED WORLD INC. warrants this product for three year (some exceptions may apply) from the date of shipping unless otherwise noted in writing. This warranty is expressly in lieu of all other warranties expressed or implied. Under this Limited Warranty, the obligation of the company is limited to replacing on a prorated basis, at its option, any component found to be defective. This Limited Warranty does not apply to damage caused by buyer or alteration to the product or incorrect power supply. Factory warranties are covered by the original manufacturer and claims must be submitted to them. Use only with LED World's regulated class 2 power supply.

LED World Inc. And its providers will never be liable to you or any other person for any indirect, incidental, consequential, special, punitive or exemplary loss or damage arising from, connected with, the purchase of products, including but not limited to loss of data, business, markets, cost of labour, savings, income, profits, use, production, reputation or goodwill, anticipated or otherwise, or economic loss, under any theory of liability (whether in contract, tort, strict liability or any other theory or law or equity), regardless of any negligence or other fault or wrongdoing (including without limitation gross negligence and fundamental breach) by led world inc. Or any person for whom led world inc. Is responsible, and even if led world inc. Has been advised of the possibility of such loss or damage being incurred.

If a product is defective, we will replace the product with similar or identical product or at our option a credit towards a future purchase. To make a claim under this warranty, obtain a return authorization number.