

BEFORE YOU BEGIN, READ ALL WARNINGS AND INSTALLATION INSTRUCTIONS AND SAVE FOR FUTURE USE.

SAFETY & WARNINGS

This product is intended to be installed and serviced by a qualified licensed electrician. Install in accordance with the National Electric Code, and local regulations. Disconnect power before installing or servicing. **Only power with a regulated (listed) constant voltage Class 2 power supply (12-24V DC).**

Ensure applicable wire is installed between driver, fixture and any controls in between. When choosing wire, factor in voltage drop, amperage rating and type (in-wall rated, wet location rated, etc.). Inadequate wire installation could overheat wires and cause fire.

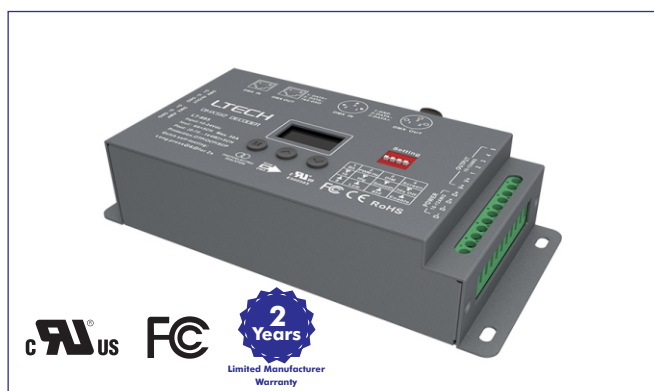
This product is rated for indoor installation and only for dry locations. Avoid direct sun light.

Do not modify this product beyond the instructions in this guide or the warranty will be voided.

Wiring diagrams in this installation guide for basic installations. Please carefully review your installation before proceeding

PRODUCT FEATURES

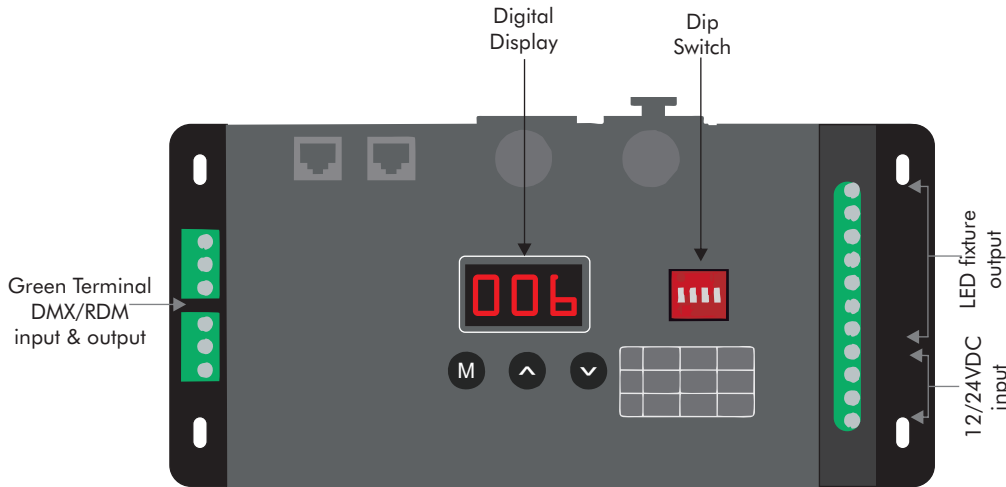
- 5 output channels, Max 6A per channel. Up to 720W output
- Easy operation with digital display and the touch buttons.
- 3-pin XLR, Rj45 and Terminal DMX ports connectivity
- With RDM remote management protocol, the operations can be completed via RDM master console such as parameters browsing and setting, DMX address setting and equipment recognition
- Short circuit, Over temperature and Over current protection
- Self testing function
- Optional High/Low PWM frequency
- Optional 16bit (65536 levels) / 8bit (256 levels) grey level
- Firmware upgrade function



PRODUCT SPECIFICATIONS

Power Supply	DC Constant Voltage Class 2
Input Voltage	DC 12V~DC 24V (Use only with Class 2 regulated Power supply)
Max Current Load	6A x 5CH (Max. 30A)
Max Output Power	(0~72W...144W) x 5CH (Max. 720W)
Photoelectric Isolation	Yes
Grey Level	8 bit (256 levels) / 16 bit (65536 levels)
Protection	Short circuit/ Over temperature / Over current protection, Automatic recovery
Output DMX Channel	5 CH/RDM
DMX512 Socket	XLR-3, Rj45, Green Terminal
Working Temperature	-30°C ~ 50°C (-22°F ~ 122°F)
Dimension	L 169 x W 80 x H 39 mm (6.65" x 3.14" x 1.53")
Weight (G.W)	1.21 lb

PRODUCT COMPONENTS

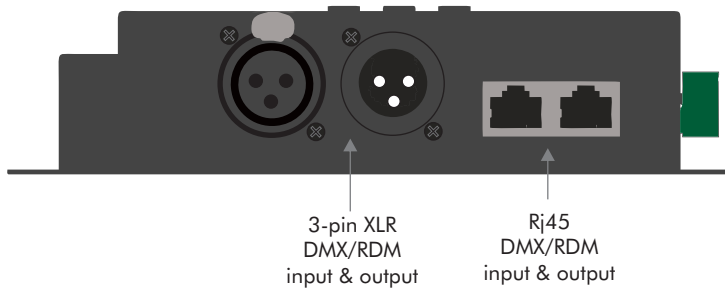
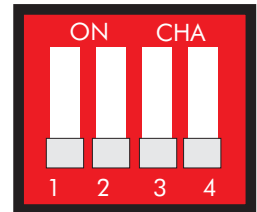


Digital Display



- Digital display will be locked mode after 15 seconds of inactivity
- Long press "M" key to unlock the display.
- Short press "M" key to switch between 3 digits.
- Press "^" "v" key to adjust digit value.

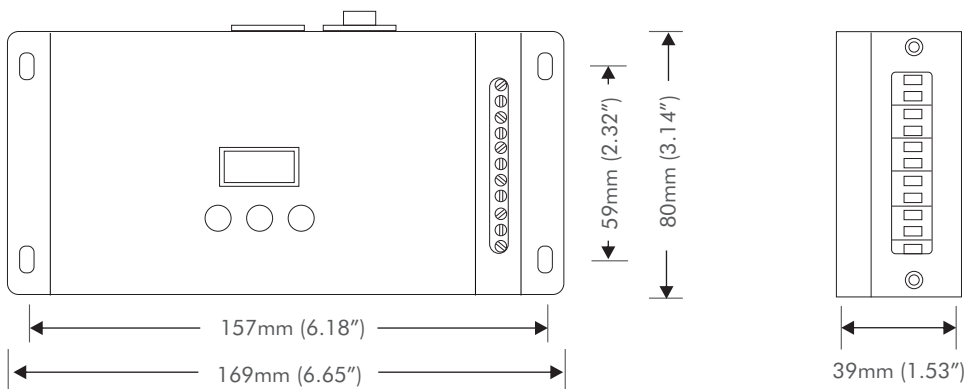
Dip Switch



1	2	3	4
Bit	PWM Hz	DIM	Screen
16	High	Smooth	30s off
8	Low	Std	Enable

Note: Keep Dip Switches at the bottom for best performance of decoder

PRODUCT DIMENSION



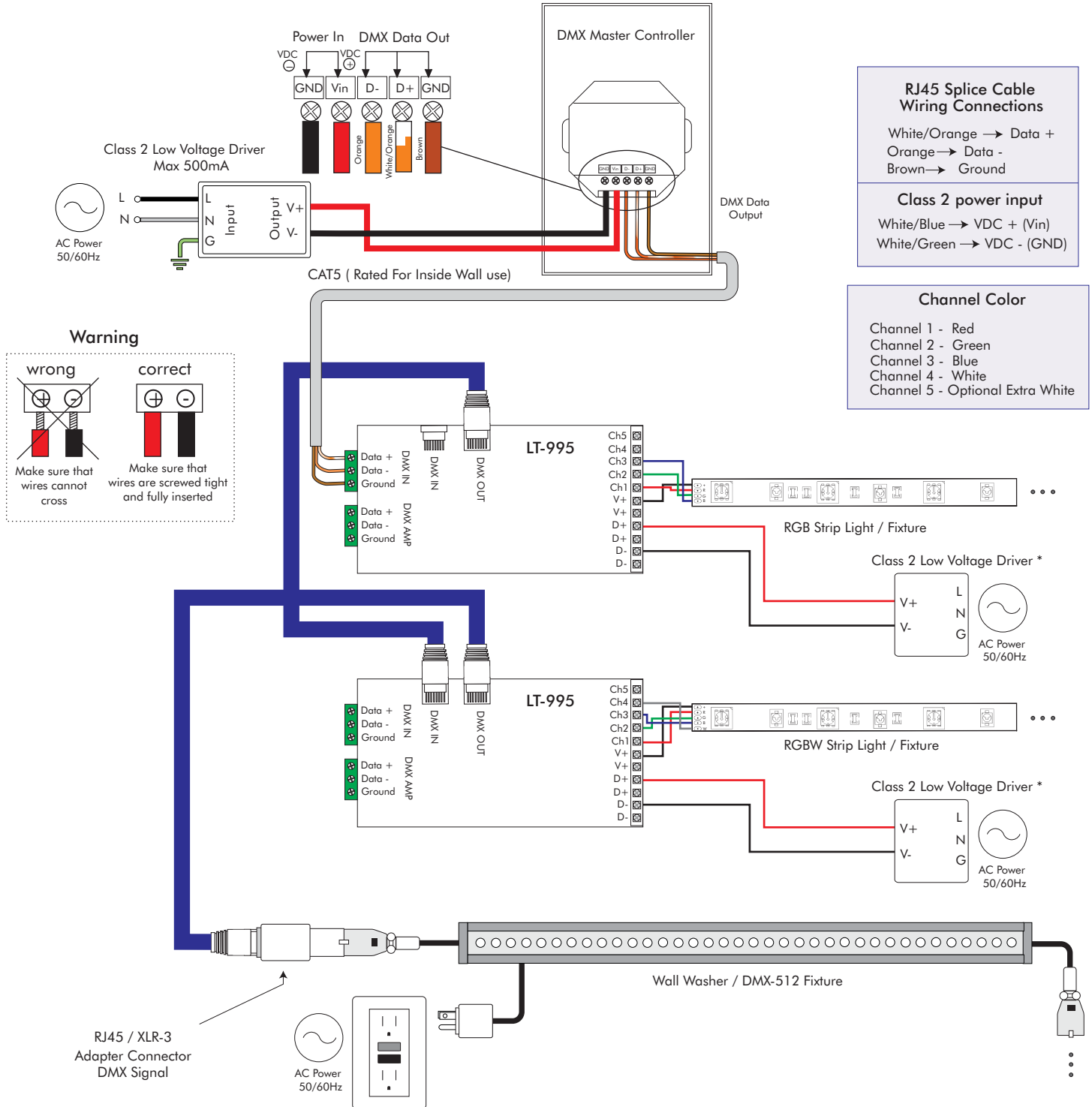
Warning: Input voltage must be identical to output voltage of the LED Fixture!

WIRE 6-8 MM (0.25-0.30")

Exposed wire should not be more than 6- 8 mm long & solder tip (tinned). Do not allow Wires to cross and insure all exposed wire is fully inserted into the screw terminals. Hand tighten screw terminals. Use 16 to 12 AWG wire for output terminals.

- Input Voltage must be identical to output voltage of the LED
- Input: For low voltage power input (12DC ~ 24VDC). V- and V+. Use only 16 to 12 AWG wire for input terminals.

LT-955 WIRING DIAGRAM



LOW VOLTAGE INPUT

Input power to the DC+ and DC- with Class 2 regulated (low voltage) power source. **Verify that the power supply is a regulated Class 2 power supply.**

If attaching RGB Flex Strip to LT-995 DMX512, correct polarity is imperative; Black (or White) wire is positive (+) and goes to "V+" terminal. The common format is to insert the Red wire to Ch1, Green wire to Ch2 and Blue wire to Ch3. If unit is set to DMX Channel1, the unit will automatically occupy channels 1,2,3 and 4 on the master DMX console. Ch4 is for single color LED Flex Strip or white in RGBW strip.

If attaching a single color, the format is to attach the positive to V+ and negative to Ch1 (but can also be Channel 2,3,4 or 5) for standard configurations of RGB.

WARRANTY

This product comes with 2 years ltd warranty, lifelong technical maintenance. The warranty excludes improper connection to power supply, power overload, manual damages and improper use. Repair or replacement as provided under this warranty is exclusive remedy of the customer. We shall not be liable for any incidental or consequential damages for bench of any stipulation in this warranty.